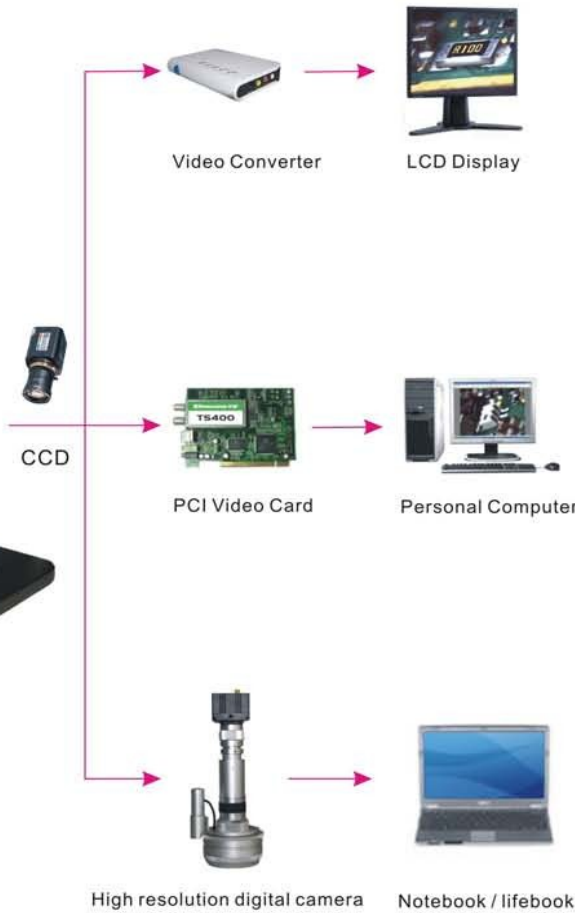


# CORTEK CT-3HM



Two color available  
Black and silver.

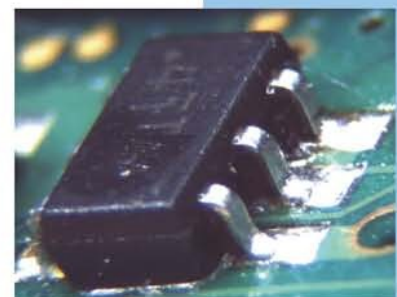
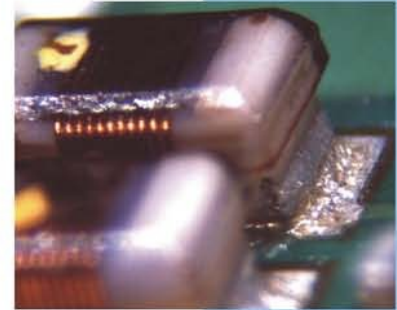
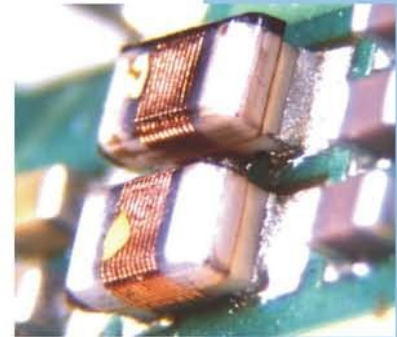


## 3D Explorer

### New Product

High quality and competitive price  
3D Video Explorer

SMT components,  
Lead of small components,  
Material Science,  
Biology



## 360 degree panoramic microscope Great depth of field, inspect from various angle

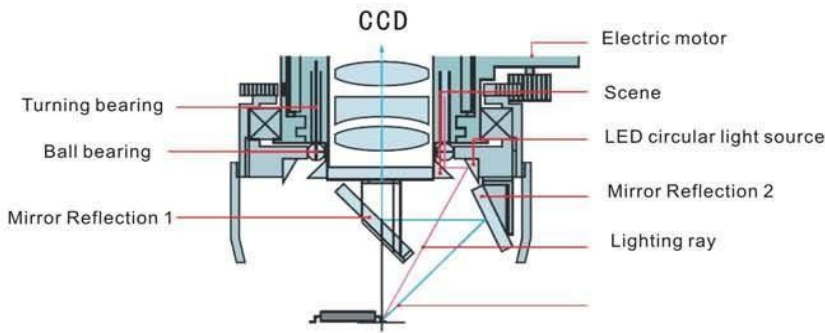
- ★ Excellent zooming and various angle view.
- ★ Flexible connector, easy to control
- ★ LED circular light source, clear 3D image.
- ★ Wide inspection area with high resolution camera.
- ★ High efficiency of image document management, printing function.
- ★ High accuracy measurement (support by computer).
- ★ Multifunction equipment with economic price.

CORTEK

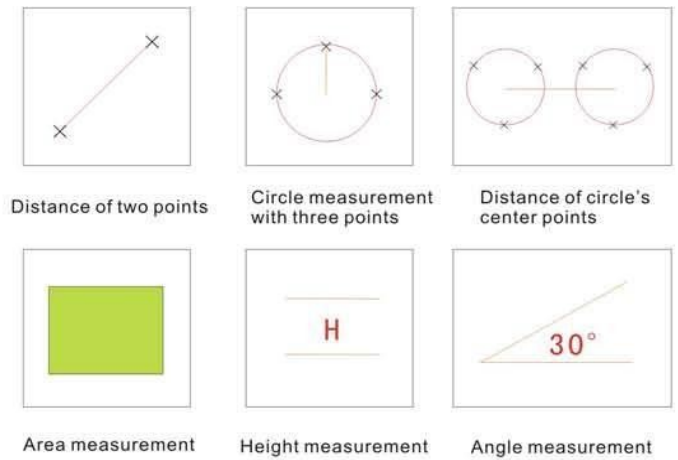
**3D**  
MICROSCOPE

\* Two color available for this product, black and silver color.  
\* With 3.0M pixels, able to capture better 3D image.

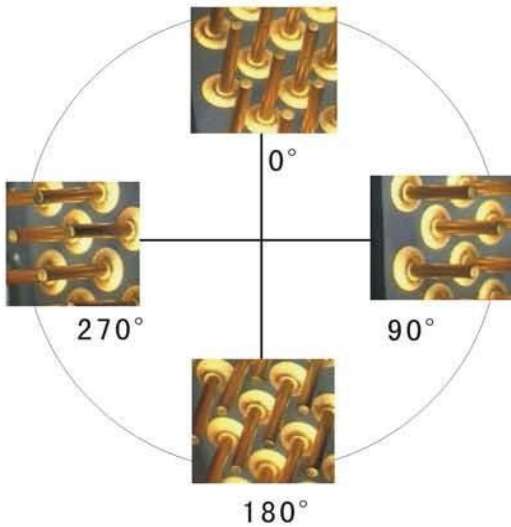
## Theory of 3D Explorer



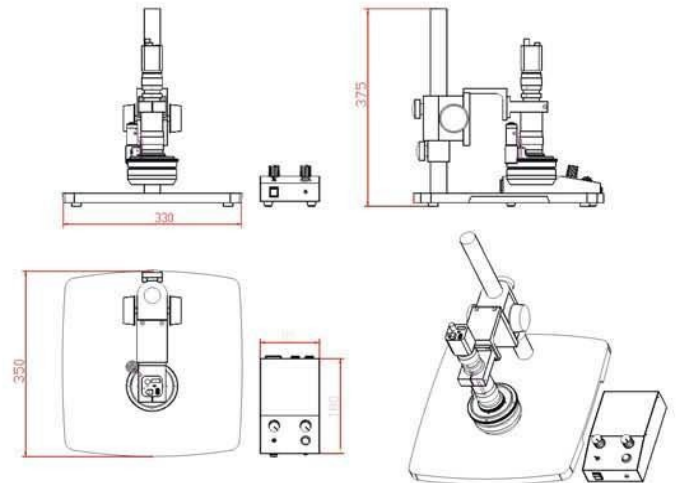
## Measurement Function



## 3D Explorer Working Map (45°)



## Dimension of 3D Explorer



## 3D Explorer Configuration

- 0.65–4.5x 3D Explorer main equipment
- 45° /55° Observer head
- Lighting and Electric motor controller
- Color monitor
- Large-scale electromagnetic platform
- Almighty cradle
- Max 3.0 M pixels digital camera
- 3D image measurement software (computer is required to support)

## Product Features

- SMT process, Feeding, Quality control analysis
- Able to change the observer head base on requirement
- 3D circular observation, excluding visual angles
- Able to change to 2D image for observing and measuring
- Export image or video files and save in computer
- 360°C electric rotary mode , able to check solder points
- Inspect and detect the defects of metal industrial
- Observing biological samples, panoramic style image
- Agricultural goods, cosmetics, medical products testing



### NEW SPEED INDUSTRIES PTE LTD

1, NORTH BRIDGE ROAD, #03-40, HIGH STREET CENTRE, SINGAPORE 179094.  
 TEL: (+65) 8128 2389 Fax: 6338 7838 Website : www.newspeed.com.sg  
 E-Mail : newspeed@pacific.net.sg